

EFFECTIVE:
08-APR-11

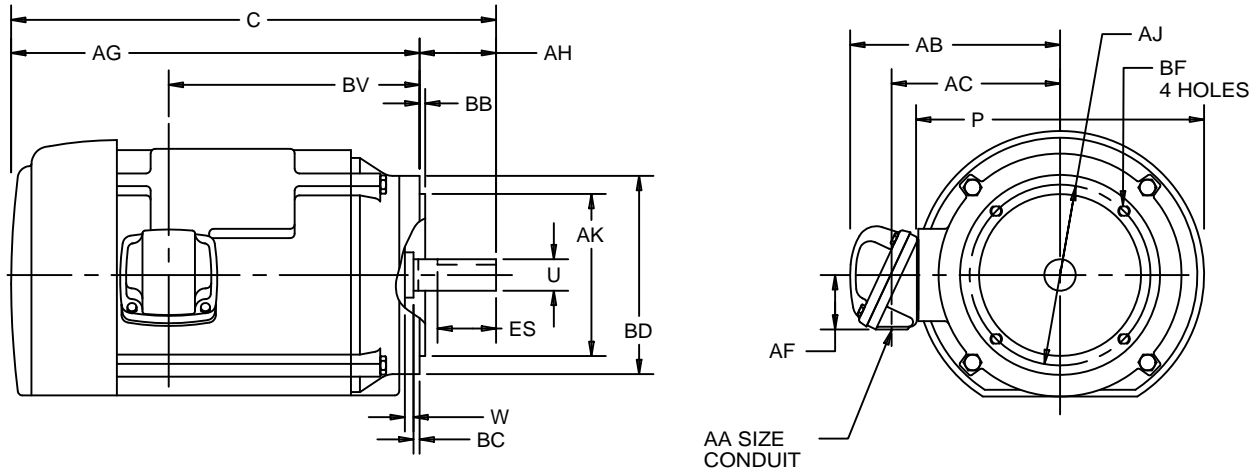
HORIZONTAL MOTORS WITH NEMA "C" BRACKET

PRINT:
07-2042

SUPERSEDES:
12-DEC-02

FRAME: 140TC
BASIC TYPE: CE

SHEET:
1 OF 1



ALL DIMENSIONS ARE IN INCHES AND MILLIMETERS

UNITS	C	P ⁵	U ⁶ -.0005	W	AA	AB	AC	AF	AG	AH	AJ	AK ⁶ -.003
IN	13.50	8.00	.8750	.19	3/4 NPT	7.38	5.06	2.13	11.38	2.13	5.875	4.500
mm	343	203	22.225	5		187	129	54	289	54	149.23	114.30

UNITS	BB MIN	BC	BD MAX	BF ²	BV	ES MIN	SQ KEY
IN	.16	.13	6.50	3/8-16 x .56	7.00	1.41	.188
mm	4	3	165		178	36	4.78

TOLERANCES	
FACE RUNOUT	.004 T.I.R.
PERMISSIBLE ECCENTRICITY OF MOUNTING RABBET	.004 T.I.R.
PERMISSIBLE SHAFT RUNOUT	.002 T.I.R.

1: ALL ROUGH CASTING DIMENSIONS MAY VARY BY .25" (6mm) DUE TO CASTING AND/OR FABRICATION VARIATIONS.
2: TAP SIZE AND BOLT PENETRATION ALLOWANCE.
3: ALL TAPPED HOLES ARE UNIFIED NATIONAL COARSE, RIGHT HAND THREAD.

4: CONDUIT BOX MAY BE LOCATED ON EITHER SIDE OF MOTOR. CONDUIT OPENINGS MAY BE LOCATED IN STEPS OF 90 DEGREES REGARDLESS OF LOCATION. STANDARD AS SHOWN WITH CONDUIT OPENING DOWN.
5: LARGEST MOTOR WIDTH.
6: ALL TOLERANCES ARE IN INCHES ONLY.

07-2042/A

Nidec Motor Corporation
St. Louis, Missouri

INFORMATION DISCLOSED ON THIS DOCUMENT IS CONSIDERED PROPRIETARY AND SHALL NOT BE REPRODUCED OR DISCLOSED WITHOUT WRITTEN CONSENT OF NIDEC MOTOR CORPORATION



ISSUED BY
L. CUESTA
APPROVED BY
L. MORALES

IHP_DP_NMCA (MAR-2011) SOLIDEDGE