

EFFECTIVE:  
18-SEP-14

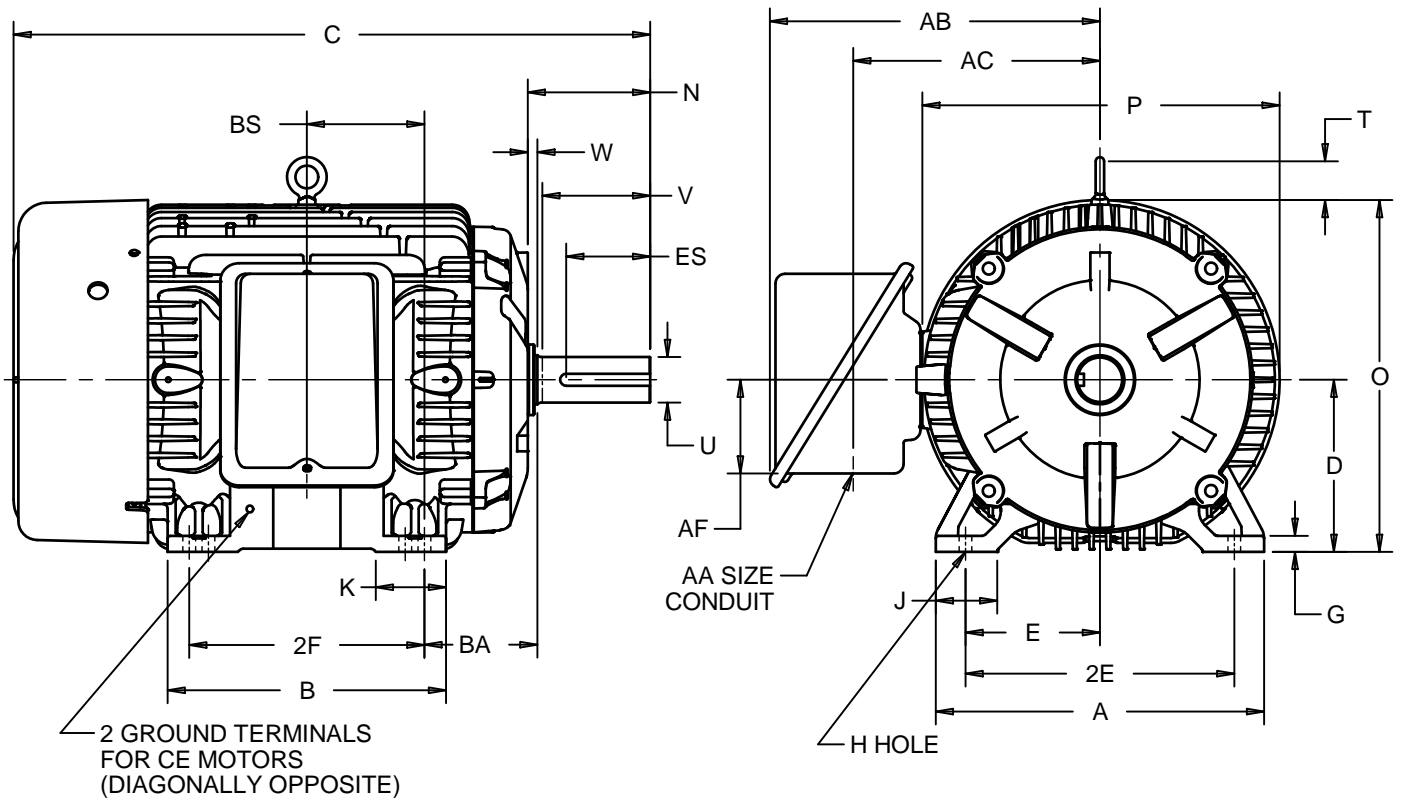
# DIMENSION PRINT

PRINT:  
07-2139

SUPERSEDES:  
15-NOV-11

FRAME: 360T  
BASIC TYPE: TC, CE

SHEET:  
1 OF 1



ALL DIMENSIONS ARE IN INCHES AND MILLIMETERS

UNITS	A	B	C	D -.06	E	2E +.03	G	H +.05	J	K	N	N-W
IN	17.13	14.50	33.16	9.00	7.00	14.00	0.84	.66	3.25	3.25	6.38	5.88
MM	435	368	842	229	178	356	21	17	83	83	162	149

UNITS	O	P <sup>2</sup>	T	U -.001	V MIN	W	AA	AB	AC	AF	BA ±.09	BS
IN	18.38	18.94	2.25	2.375	5.62	0.50	3 NPT	17.38	12.88	4.88	5.88	6.13
MM	467	481	57	60.33	143	13		441	327	124	149	156

UNITS	ES MIN	SQ. KEY
IN	4.28	0.625
MM	109	15.88

FRAME	UNITS	2F ±.03
364T	IN	11.25
	MM	286
365T	IN	12.25
	MM	311

- 1: ALL ROUGH CASTING DIMENSIONS MAY VARY .25" DUE TO CASTING AND/OR FABRICATION VARIATIONS.
- 2: LARGEST MOTOR WIDTH.
- 3: TOLERANCES ARE SHOWN IN INCHES.

- 4: CONDUIT BOX MAY BE LOCATED ON EITHER SIDE OF MOTOR. CONDUIT OPENINGS MAY BE LOCATED IN STEPS OF 90 DEGREES REGARDLESS OF LOCATION. STANDARD AS SHOWN WITH CONDUIT OPENING DOWN.

07-2139/F

**Nidec Motor Corporation**  
St. Louis, Missouri

INFORMATION DISCLOSED ON THIS DOCUMENT IS CONSIDERED PROPRIETARY AND SHALL NOT BE REPRODUCED OR DISCLOSED WITHOUT WRITTEN CONSENT OF NIDEC MOTOR CORPORATION



ISSUED BY  
**R. KING**  
APPROVED BY  
**J. O'BRIEN**

IHP\_DP\_NMCA (MAR-2011) SOLIDEDGE