

EFFECTIVE:
26-AUG-15

SUPERSEDES:
31-MAY-11

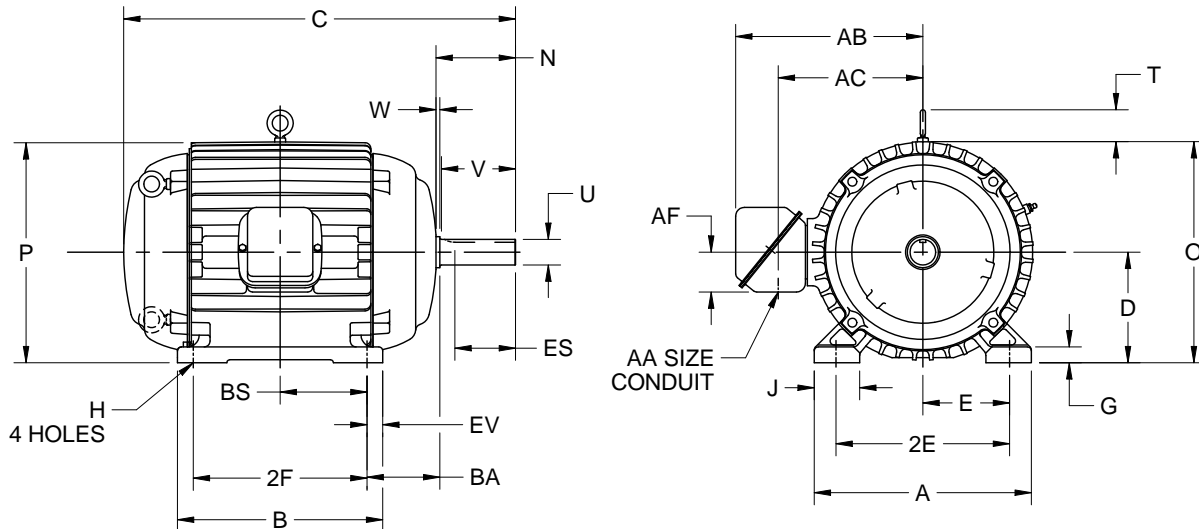
DIMENSION PRINT

TEAO

FRAME: 210T
BASIC TYPE: CTN

PRINT:
07-2893

SHEET:
1 OF 1



ALL DIMENSIONS ARE IN INCHES AND MILLIMETERS

UNITS	A	B	C	D -.06	E	2E ±.03	G	H +.05	J	N	O
IN	10.50	8.50	17.00	5.25	4.25	8.50	.53	.41	1.75	3.75	10.78
MM	267	216	432	133	108	216	13	10	44	95	274

UNITS	P ²	T	U -.0005	V MIN	W	AA	AB	AC	AF	BA	BS
IN	10.88	2.03	1.3750	3.13	.38	1.00	9.04	6.72	2.00	3.50	3.50
MM	276	52	34.925	80	10		230	171	51	89	89

UNITS	ES MIN	EV	SQ KEY
IN	2.44	.75	.313
MM	62	19	7.95

FRAME	UNITS	2F ±.03
213T	IN	5.50
	MM	140
215T	IN	7.00
	MM	178

1. ALL ROUGH CASTING DIMENSIONS MAY VARY BY .25" DUE TO CASTING AND/OR FABRICATION VARIATIONS.
2. LARGEST MOTOR WIDTH.
3. TOLERANCES SHOWN ARE IN INCHES ONLY.

4. STANDARD ASSEMBLY POSITION F-1 IS SHOWN F-2 IS PROVIDED WHEN SPECIFIED. CONDUIT OPENINGS MAY BE LOCATED IN STEPS OF 90 DEGREES REGARDLESS OF LOCATION. STANDARD AS SHOWN WITH CONDUIT OPENING DOWN.
5. THIS UNIT MAY HAVE HORIZONTAL LIFTING, VERTICAL LIFTING OR BOTH.

07-2893/B

Nidec Motor Corporation
St. Louis, Missouri

INFORMATION DISCLOSED ON THIS DOCUMENT IS CONSIDERED PROPRIETARY AND SHALL NOT BE REPRODUCED OR DISCLOSED WITHOUT WRITTEN CONSENT OF NIDEC MOTOR CORPORATION



ISSUED BY
G. MARTINEZ
APPROVED BY
J. RANGEL

IHP_DP_NMCA (MAR-2011) SOLIDEDGE